



CZUR

USER MANUAL (ET18 Pro)

gestioni.doc

Via Aretina, 240 - 50136 Firenze
Tel. 055.6800188 - Fax 0556580317
E-mail: gestionidoc@gestionidoc.it
www.gestionidoc.it



FCC STATEMENT

1. This device complies with Part 15 of the FCC Rules. Operation is subject to the following two conditions:
 - (1) This device may not cause harmful interference.
 - (2) This device must accept any interference received, including interference that may cause undesired operation.
2. Changes or modifications not expressly approved by the party responsible for compliance could void the user's authority to operate the equipment.

NOTE: This equipment has been tested and found to comply with the limits for a Class B digital device, pursuant to Part 15 of the FCC Rules. These limits are designed to provide reasonable protection against harmful interference in a residential installation.


This equipment generates, uses, and can radiate radio frequency energy and, if not installed and used in accordance with the instructions, may cause harmful interference to radio communications. However, there is no guarantee that interference will not occur in a particular installation. If this equipment does cause harmful interference to radio or television reception, which can be determined by turning the equipment off and on, the user is encouraged to try to correct the interference by one or more of the following measures:

- Reorient or relocate the receiving antenna.
- Increase the separation between the equipment and receiver.
- Connect the equipment into an outlet on a circuit different from that to which the receiver is connected.
- Consult the dealer or an experienced radio/TV technician for help.

FCC Radiation Exposure Statement

This equipment complies with FCC radiation exposure limits set forth for an uncontrolled environment. This equipment should be installed and operated with minimum distance 20cm between the radiator & your body.

 The symbol indicates DC voltage.

 RECYCLING: This product bears the selective sorting symbol for Waste electrical and electronic equipment (WEEE). This means that this product must be handled pursuant to European directive 2012/19/EU in order to be recycled or dismantled to minimize its impact on the environment.

Contents

Chapter I Introduction

1.1 Product Summary	2
1.2 Product Dimensions	2
1.3 Product Appearance	3
1.4 Product Specifications	5
1.5 Packaging and Accessories	5

Chapter II Operation Guidelines

2.1 Scanning Preparation	6
2.2 Work Mode	8
2.2.1 Computer Mode (USB-PC)	8
2.2.2 Visual Presenter Mode (USB-PC)	8
2.2.3 Wi-Fi Mode	9

Chapter III Frequently Asked Questions and Troubleshooting

3.1 PC Mode(USB) Problems	11
3.2 Wi-Fi Mode Problems	13

Chapter IV Terms of Service

4.1 After Sale Service and Guarantee	14
4.2 Contact Information	15

Chapter I Introduction

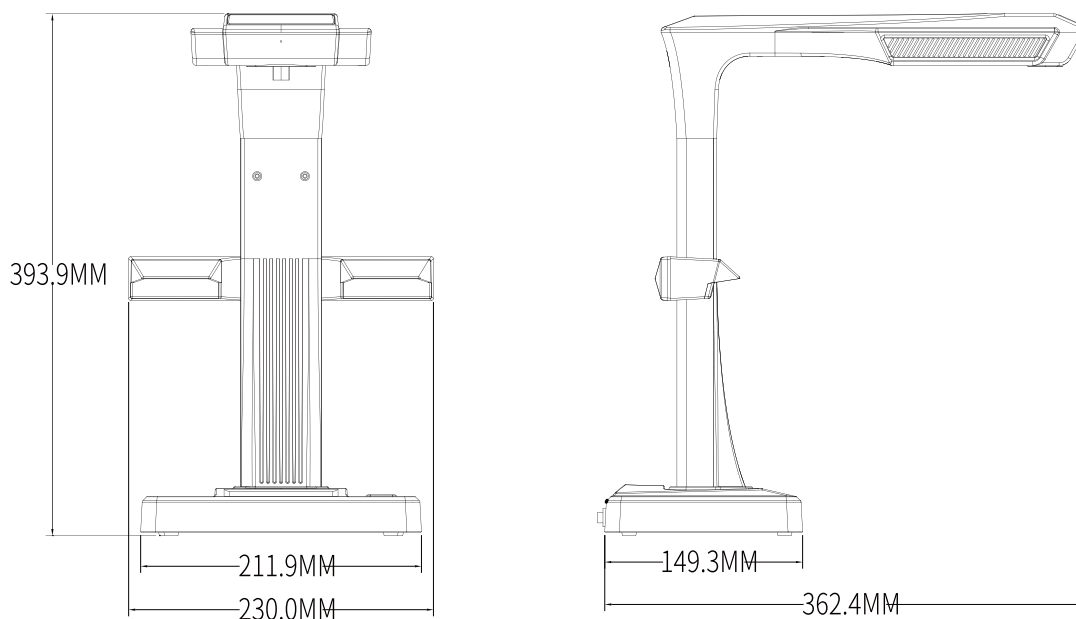
1.1 Product Summary

The CZUR scanner is a new type of intelligent scanner whose main features are its extremely high scanning speed, its ability to recognize and correct for curved, incorrectly positioned, or soiled pages, and its ability to quickly and easily convert scanned pages to more useful formats (PDF, searchable PDF, TIFF, or text documents.)

The scanner can, (using built-in algorithms) automatically handle pages otherwise difficult or very time-consuming to scan. For example, it can automatically flatten the curved pages of open books (using laser lines), erase fingerprints, automatically split double pages into two single pages, and correct incorrectly positioned pages. The scanner allows large books to be scanned and archived very quickly.

It's a completely new approach to scanning and can save hours of time on either simple or complex tasks of document digitizing, archiving, and sharing. It is unlike any scanner in its price range.

1.2 Product Dimensions



1.3 Product Appearance



CZUR Scanner



LCD



Connection Ports



Top Casing



Hand Button



Foot Pedal



Side Lights Port



Side Lights Touch Button

1. Microphone
2. Base
3. Top casing
4. Laser light
5. Vertical bar
6. LED brightness(high/low)
7. Scan (start next scan) (see Note A below)
8. LCD (see LCD Notes below)
9. Wi-Fi indicator light (see Note B below)
10. Scan indicator light (see Note C below)
11. Power indicator light (White)
12. HD CMOS camera
13. Bank of LED lights
14. Bank of LED lights
15. Power on/off switch
16. DC 9V 2A, AC volt 100-240V 50/60Hz
17. To USB cable for computer connection
18. USB port for Foot Pedal or Hand Button
19. Hand button light "Scan in progress"
20. Hand button (to start next scan)
21. Foot pedal cover
22. Foot pedal base
23. Side lights port
24. Side lights touch button

Notes

A. In Wi-Fi mode, press and hold the scan button for 3 seconds to quickly release your account from the scanner.

B. Green & Blue lights flash. Wait for sound.

C. Red light on = scanning (don't flip the page). Red light off = scan is complete.

LCD Notes

- LCD= Liquid Crystal Display, a type of flat-panel display screen.
- When connected to a PC, displays if uploading or not to the PC.

  , Reset Notes

- These buttons are only for maintenance. Function are not open to users.

1.4 Product Specifications

Type	Model	ET18 Pro
Basic characteristics	Pixel	18M
	Resolution	4896*3672
	Scanning speed	≈1.5S
	Format	≤A3
	Video format	MJPEG
	Picture format	JPG
	Export format	PDF/TIFF/WORD/EXCEL/Searchable PDF
Configuration parameters	Processor	32 MIPS CPU
	DDR	1Gbit
	Laser rays	3 laser rays
	LCD	√
	MIC	√
Specific functions	Smart scan	√
	OCR	√
	SDK	√
	Wi-Fi	support, 2.4Hz
	Software function	Flattening Curve, Finger removal, smart paging, Smart tilt corrections and auto-cropping, auto-scan.
	Operating systems supported	XP/Win7/Win8/Win10, 32bit/64bit; macOS 10.11 and above

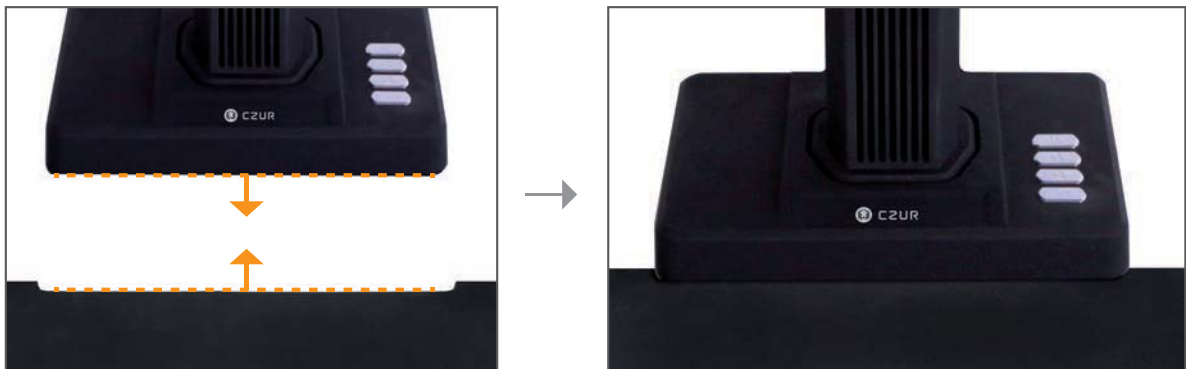
1.5 Packaging and Accessories

Item	Specification	Quantity (pcs)
Scanner	CZUR smart scanner	1
Side lights	Magnetic connector	1
Hand button	USB interface, 1.2M	1
Foot pedal	USB interface, 2.0M	1
USB cable	USB interface, 1.5M	1
AC/DC power adapter	Input AC: 100-240V-50/60HZ 0.6A Output DC: 9V/2A	1
Black document pad	530*401*2.0MM	1
Specialized finger cots	Left hand; Right hand	2
CD-ROM	CD-R, D=120MM	1
User manual	Color pages, 126*178MM	1

Chapter II Operation Guidelines

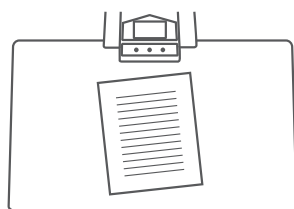
2.1 Scanning Preparation

1. Place the scanner on a surface (table, desk, or counter) large enough to hold the pages you plan to scan or display.
2. Plug either the Hand Button or Foot Pedal into the scanner's USB port (in the back of the base).
3. Spread the black document pad under the scanner's head. Ensure that the gap of the "black document pad" aligned with the device.



4. Check the LCD on the head portion to see if the black document pad covers the entire screen and ensure that the desk surface or random edges are not included within the scan. (It is extremely important to make sure that the black document pad covers the entire screen properly to enable the smart algorithm to carry out its calculations and ensure image processing is carried out properly).
5. Special reminders
 - 1) When scanning larger projects (such as books or multiple documents), we recommend using the Computer Mode (USB-PC) and connecting to the foot pedal to make the scanning process more efficient. Using a computer during scanning will provide additional editing functions to improve the quality and professional of the scanned and processed images.
 - 2) Avoid scanning documents in places near windows or environments with strong lighting. Excessively bright ambient lighting will affect the brightness of the ET laser lines and negatively affect scanning results.

- 3) When scanning books, the 3 laser lines of the ET scanner must be on the curved pages. Failure to do so will negatively affect scanning results.
- 4) Please wear the specialized finger cots provided with the ET scanner when holding down the pages during the scanning process to ensure that the finger removal function works properly. Failure to wear the finger cots would affect the finger removal algorithm.
- 5) When scanning, review your requirements and select the proper processing modes of either [Flat Single Page] or [Facing Pages].



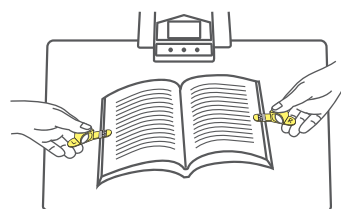
[Flat Single Page] mode for single, flat sheets of paper



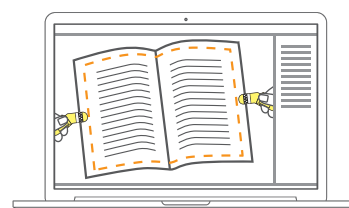
Auto-recognition of paper edges



Auto-cropping and tilt correction



[Facing Pages] mode for bound sheets of paper (books)



Auto-recognition of page curvature



Auto-flattening of curved pages and removal of fingers (with finger cots)

- 6) When scanning magazines, coated paper, and other reflective materials, switch the side lights ON and switch the main lights OFF for best results (only for advanced version).

2.2 Work Mode

2.2.1 Computer Mode (USB-PC)

- to control the scanner from a PC and store the scans on its disk.
- Install the CZUR software on the PC. Get the CZUR software either from the included CD, or from the website: <http://www.czur.com> → Support → ET Series. (macOS only supported by downloading from website)
- Attach the USB cable from the scanner base to the PC. Turn everything on.
- Open CZUR software, which offers you three choices: Scan-Export-Batch. For more details, please go to <http://www.czur.com> → Support → ET Series, choose “ET18 Pro → User Manual” .

2.2.2 Visual Presenter Mode (USB-PC)

Plug in power adapter, and connect device with computer via USB cable. Then connect computer to projector.

2.2.3 Wi-Fi Mode

- Turn on ET scanner (no USB or HDMI connection) and it will automatically enter Wi-Fi mode.
- Install CZUR app on your phone. The APP can be downloaded from App Store, Google Play Store, or <http://www.czur.com/cn/app/czur>.
- Register and login to the APP, tap “Add Functions,” choose “ET,” tap “ Add ET scanner,” then scan the QR code under ET scanner base, tap “Link now” and follow APP instructions to finish the linking.
- Input Wi-Fi SSID and password (only support 2.4G) to connect ET device to Wi-Fi.
- When ET is connected to CZUR server, start scanning with the ET device, and you can see scan results in CZUR App after refreshing.

Function Details

- Connect your phone to the Internet, open CZUR APP, tap the device model that has been added, tap “connect Wi-Fi” to enter network setting interface, input Wi-Fi SSID and password, and follow APP instructions to finish network connection (only support 2.4G).
- When the Wi-Fi indicator light indicates steady green, it means the ET device has connected to router successfully.
- When ET’ s LCD screen shows “Connecting to CZUR ...,” it means the device is connecting to CZUR server.

△ If the LCD screen shows “Disconnected,” it means the device fails to connect to CZUR server, and you need to check the router network.

△ If the LCD screen shows “Connected,” it means the device connected to CZUR server successfully.

- CZUR APP Account Connection

To connect your scanner to another account, perform the following. Note that the scanner can only have one administrator account at a time, and the administrator can share the device with other users.

When the indicator light indicates steady green, press the “Scan” button once.

- If the screen shows both “Ready” and “User & Account,” you can start scanning.
 - If the screen shows “No User,” it means the ET device is available for a new user account, you can open CZUR app on your phone to apply to add a CZUR account to the device.
- Link and unlink CZUR administrator account; Add and delete CZUR user account; ET administrator authority transfer and other user’s application for ET usage.
- Link and unlink CZUR administrator account
 - △ Open and login to the CZUR app on your phone, tap “Add ET Scanner,” scan the QR code on ET base, and tap “Link Now” (The first account linked to ET will become the administrator account) .
 - △ Open CZUR app on your phone, go to “My ET scanner” and tap on the device model, and tap “Unlink” to unlink CZUR administrator account.
 - △ “Change ownership” allows for a change of administrator authority to another CZUR account.
 - Add and Delete user account.
 - a. Open CZUR App.
 - b. Go to “My ET,” choose the scanner model.
 - c. then:
 - Tap “⊕” to add a user account to the device. (The user added can apply to use the ET scanner);
 - Tap “⊖” to delete a user account.
- Administrator authority transfer and share use of ET
- If there’s only one account linked to the scanner, the user can unlink the account. Other users can scan the QR code on the device base to apply for use when the administrator shares the device.
- △ Automatic share use: If one user does not upload any scanned images or perform any operation for 15 minutes, other shared users can then apply to use the device with their own cloud account.
 - △ Active share use: Press the “Camera” button of ET for 3 seconds under Wi-Fi Mode, others can use the device when the LCD screen shows “Completed.”

– Share use application.

△ Administrator logs into CZUR account on the App, chooses the scanner model in “My ET,” tap “Device visibility,” then other users can apply to use the device.

△ Other users log into their accounts on “CZUR” App, tap “add ET scanner,” scan the “QR code” under the scanner to become a share user, then tap “Start to use” to use the device.

Chapter III Frequently Asked Questions and Troubleshooting

3.1 PC Mode (USB) Problems

- Unable to turn the scanner on. The LCD screen and power indicator light are dark.
 - Possible faulty power connection. Make sure the power supply actually has power, the adapter is properly connected, and the power switch is turned to On.
 - Sticky on/off switch. Turn the on/off switch on and off a few times.
- The software cannot be installed.
 - The software will only work with Windows XP, 7, 8, or 10 systems and some macOS systems. Or you may have entered the wrong scanner SN. Check the scanner SN underneath the base. Note that there is no number 1 (one) in the SN.
 - Anti-virus software may be interfering. Lower your anti-virus or firewall’s security level or disengage it while installing the CZUR software. Then reengage it.
 - Faulty software download. Download the software again & make sure it completely downloads before trying to install it.
- SN errors.
 - The scanner’s SN is underneath the base. Note that there is no number 1 (one) in the SN.
- When first using the software, nothing shows in the preview frame, and I am unable to scan.

- Make sure all USB connections are firm, especially between the scanner and the PC.
 - Make sure the PC' s "Device Manager" recognizes the scanner. If you see a yellow exclamation mark with an "Unknown Device" indication, right click it to update the drive or disable and then re-enable the device, and then retry the software.
 - Enter "device manager" , then disable the other "scanner" or "camera" driver.
 - Try restarting the PC or using a different one.
- Scanned images are distorted, the font is twisted, or there are other distortions.
- The black document pad may be misaligned. Make sure it's positioned properly under the scanner head. You cannot scan what won't fit within the boundaries of this pad.
 - What you want to scan may be too big. It must fit within the boundaries of the matte black pad.
 - There might be interfering items in the preview area. Make sure none of the following are there: your hand, the Hand Button's cord, your mobile phone, a pen, etc. Only the document to be scanned should be in the scanning preview area to allow the algorithms to work properly.

3.2 Wi-Fi Mode Problems

– Unable to connect ET scanner to router

- Check if ET scanner is powered on with no USB cable connection.
- Check state of “Wi-Fi indicator” (refer to 1.3)

Flashing green light means the device is searching for a connection
Steady green light means the device is connected to the network.

- Reset Wi-Fi connection (Refer to 2.2.3).
- Make sure your Wi-Fi SSID and password are correct.
- Reboot your physical router or use another router.

– Unable to scan in Wi-Fi Mode.

- Check if ET scanner is powered on with no USB cable connections.
- Check Wi-Fi indicator light: if the light indicates steady green, the scanner is connected to the server. If not, try to reconnect the device to the network by pressing the reset button in the back of the base once quickly. The green light will flash on and off while it again tries to make a connection.
- Check if the server and your scanner are connected, and make sure your Wi-Fi network is available.
- Check the account connection by pressing the “scan” button once. If the LCD screen shows “Ready” and shows “User and Account,” it means the device is connected to a CZUR account. If not connected, log into your CZUR App, go to “My ET,” select the scanner, then tap “Apply.”
- If the light is steady blue, the scanned image is being transmitted to the server.

Chapter IV Terms of Service

Dear user, thank you for using the smart scanner manufactured by our company. To protect your legal rights, please review and comply with the following standards and reminders.

4.1 After Sale Service and Guarantee

All after sales policy of this product shall be subject to the laws and regulations of the country of sales.

The scope of warranty covers the scanner device, the adapter, the hand button, and the foot pedal. Consumables and external appearances are not covered by the warranty.

When sending in the product for repairs, please contact us or our local agent.

We apologize for not issuing notices for subsequent upgrades or version updates of the product. This Company reserves the right of final decision on the interpretation of the above articles.

Warranty scope exception:

This product may only be used in areas where surrounding temperatures are less than 104 °F.

Failures or damages caused by incorrect installation or using the product in environments that exceed the specified work conditions (for examples, in places that are too hot or too humid).

Damages caused by using components not from this Company or when the user attempts to replace components by himself / herself.

Damage caused by natural disasters, accidents, or human factors.

Damage caused by inappropriate storage (including damage caused by rats or liquid infiltration) .

Failures or damage caused by unauthorized repairs, modifications, or abuse caused by the user.

Damage caused by repairs carried out by unauthorized repair centers.

Other errors and failures caused by software installation or software settings, or problems and failures caused by computer viruses.

4.2 Contact Information

Get technical support and information as follows :

CZUR TECH CO., LTD.

Website: <http://www.czur.com/>

E-mail: support@czur.com

Skype: [support@czur.com](https://www.skype.com/people/support@czur.com)

9F, West Block, Shenzhen Hongkong Institution, Gaoxin South 7th Rd.,
Room 911, Building A, Chuangye Mansion, 32th Huoju Road, High-tech District, Dalian,
China.

CZUR TECH CO., LTD.

Website: <http://www.czur.com>

E-mail: support@czur.com

Skype: [support@czur.com](https://www.skype.com/people/support@czur.com)

9F, West Block, Shenzhen Hongkong Institution, Gaoxin South 7th Rd.,
Nanshan District, Shenzhen, China